



# MSP 340 Pet GPS Tracker



Eyes on your pet anytime



iPhone/Android



No Monthly Fees



Standby Time



PET GPS TRACKER

## Features:

- Exclusive free Android APP
- Support Geo-Fence
- Icon of each device can be customized
- Real-time tracking
- History playback
- Fashionable design with waterproof housing
- User-friendly App in Multi-Language
- Support low power alert

### Product View

Plan View



Upward View



Side View



**Box includes**

Collar (Option)



Adapter



USB cable



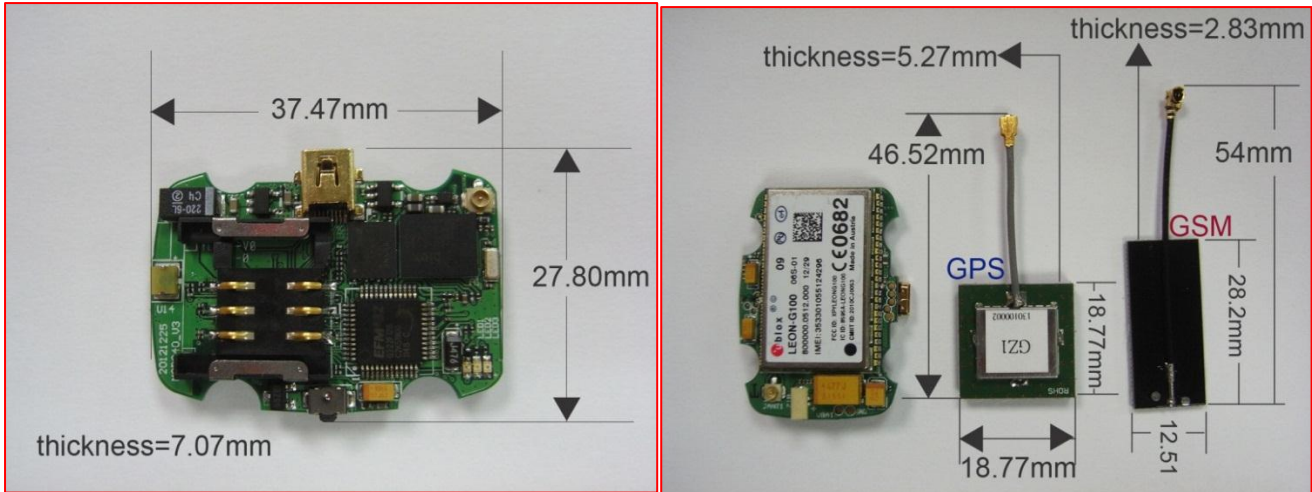
Waterproof plug




Screwdriver




# PCB size



## GPS Specifications

Parameter	Description	Specification
Chipset		AMY-6M
Receiver type	50 Channels GPS L1 frequency, C/A Code SBAS: WAAS, EGNOS, MSAS	
Time-To-First-Fix <sup>2</sup>	Cold Start (Autonomous)	33s
	Aided Starts	1s
	Hot Start (Autonomous)	<1 s
	Aided Starts <sup>3</sup>	<4 s
Sensitivity <sup>4</sup>	Tracking & Navigation	-159 dBm
	Reacquisition	-159 dBm
	Cold Start (Autonomous)	-146 dBm
Maximum Navigation update rate		5Hz
Accuracy	Position	2.5 m CEP
	SBAS	2.0 m CEP
Time pulse frequency range	Configurable	0.1 Hz to 1 kHz
Operational Limits	Dynamics	≤ 4 g
	Altitude <sup>6</sup>	50,000 m
	Velocity <sup>6</sup>	500 m/s

## GSM/GPRS Specifications

Item	Description	specification
Chipset		G-100
Air Interface	GSM or GPRS Quad Band	GSM 850 / 900 / 1800 / 1900 MHz class 4 (2 W) for 850/900 bands class 1 (1 W) for 1800/1900 bands
	GPRS	Class 10 (4 downlink, 2 uplink, max. 5) Mobile Station Class B PBCCH supported CS 1...CS 4 supported
	Power Consumption	Power Off - < 90 $\mu$ A Idle Mode - <1.6 mA Telephony GSM - < 300mA GPRS class 10 - 410 mA
GSM Sensitivity	850/900 MHz	-110 dBm
	1800/1900 MHz	-109 dBm
Messaging	SMS	PDU / Text mode / Cell broadcast
	AT Commands	3GPP 27.005, 3GPP 27.007 3GPP 27.010 MUX protocol

## Physical Specifications

Item	Description	Specifications
Dimension ( Products)	Length	105mm
	Width	37
	Height	30 mm
Antenna	GPS	Internal
	GSM/GPRS	Internal

## Environmental Specifications

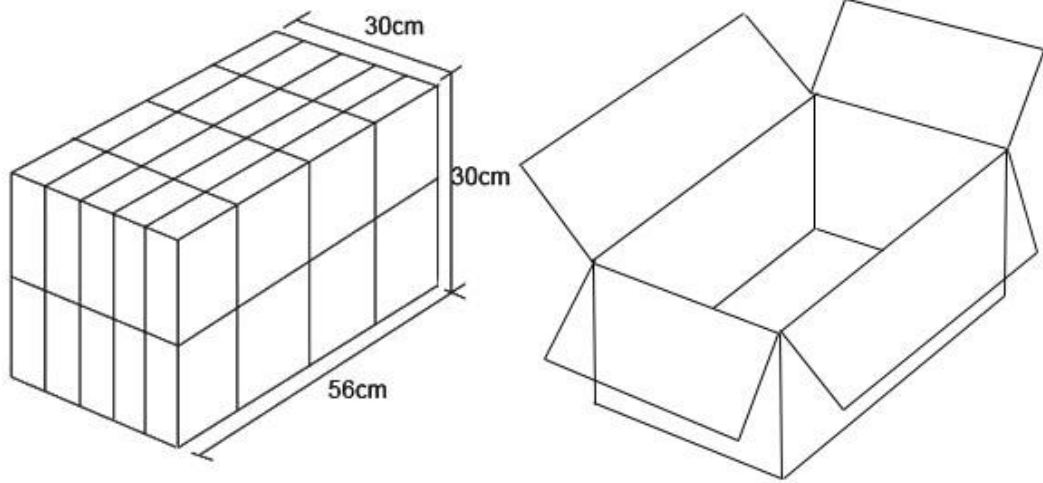
Item	Description	Specification
Temperature	Operating range	-10 °C to 55 °C
	Storage range	-20 °C to 80 °C
Humidity	up to 95% non-condensing	

# Power Specifications

Item	Description	Specification	Working Time
Battery	3.7V, 420mAh Rechargeable Li-polymer battery		
Battery Charging	Via 8 pin USB cable		
Power consumption	LBS MODE (LAC & Cell ID) (GSM only)	8.4 mA	50 hours
	WORKING MODE (GSM on / GPS on ) GSM connect & GPS fix (sleep) Depend on Signal quality	75mA-105mA	6-15 hours
	STANDBY MODE ( MCU sleep / GSM off / GPS off) Built-in micro vibration sensor When the pet TRACKER still over 3 minutes will go into Standby mode	68 uA	1600 hours



# PACKING LIST



Content	Description
tbpt tracker Weight	35g
1 PCS Packing Weight	250g
1 Carton	40 PCS
Carton size	57 cm x 31 cm x31 cm
N.W	11 KG
G.W	10KG

## Art Work:



The information contained herein is the exclusive property of TRACKER and shall not be distributed, reproduced or disclosed in whole or in part without prior written permission of TRACKER TECHNOLOGY CO., Ltd.

型號: MSP340  
 尺寸: 146x135x60mm (此刀線為暫時以印刷廠開的刀線圖為準)  
 材質: 450磅白卡單銅T  
 加工: 局部光霧P  
 開孔貼PET 0.2mm透明膠片  
 印刷: 正面4色 反面1色

